

# SL 608 Outdoor High Lifter

for outdoor and indoor use



## A powerful lift with a longer reach and higher lift

The SL 608 Outdoor High Lifter is suitable for both indoor and outdoor use.

**SL 608 Outdoor High Lifter  
lifts up to 1340 lbs**

- Off road with front-wheel drive
- Maneuverable with dual rear wheels
- Foam filled tires
- Self-driven
- Electronic brake
- Lifting height 146 in (center of yoke)
- Two vacuum circuits with two pumps
- 4 Suction pads Ø 15.8 in
- Ergonomic operation handle
- Waterproof according to ip65



*The carrying arm is equipped with an electrical extension and an additional manual extension arm for extra reach.*



*The lift can shift up to 3.9 in for accurate adjustments during installations.*

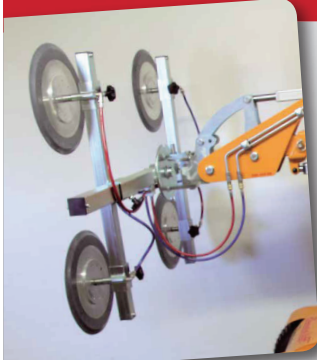


**SmartGlass**  
**LIFTER**

2121 South Priest Drive, Suite 115 | Tempe, AZ 85252  
480.236.9255 | [info@smartglasslifter.com](mailto:info@smartglasslifter.com) |  
[smartglasslifter.com](http://smartglasslifter.com)

**Smart Lift**  
DENMARK

# SL 608 Outdoor High Lifter

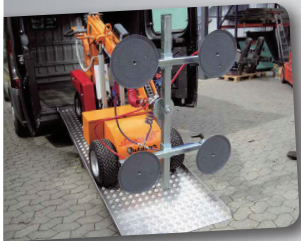


The yoke allows multidirectional movement.

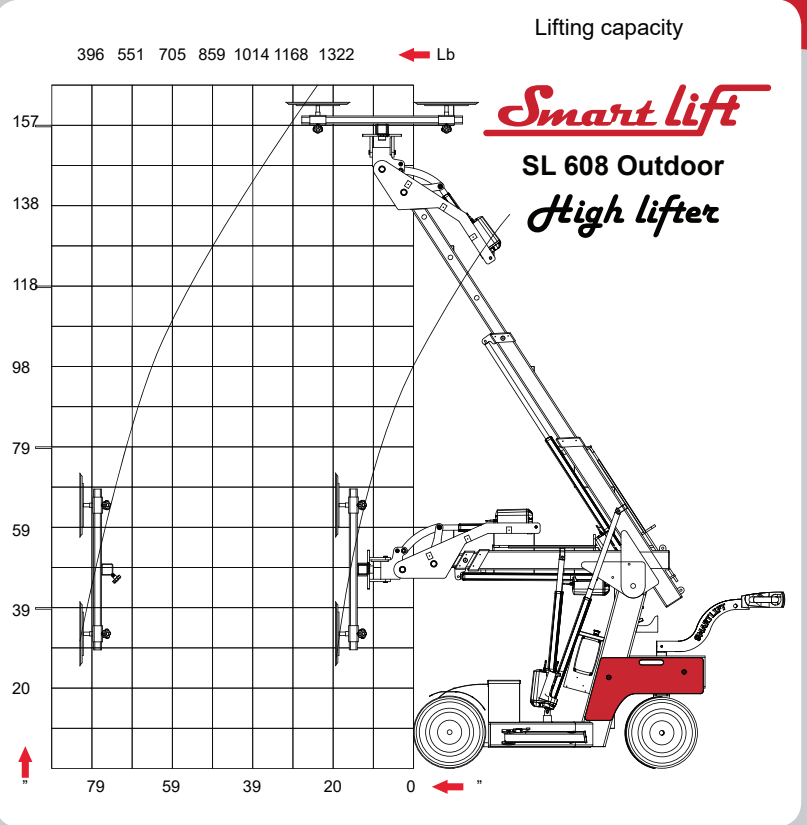
The vacuum system is separated into two circuits (separate blue and red hoses) for the highest level of security.



The lifting head has two settings with adjustable locking bolts. The head can be tilted towards the ceiling or floor.

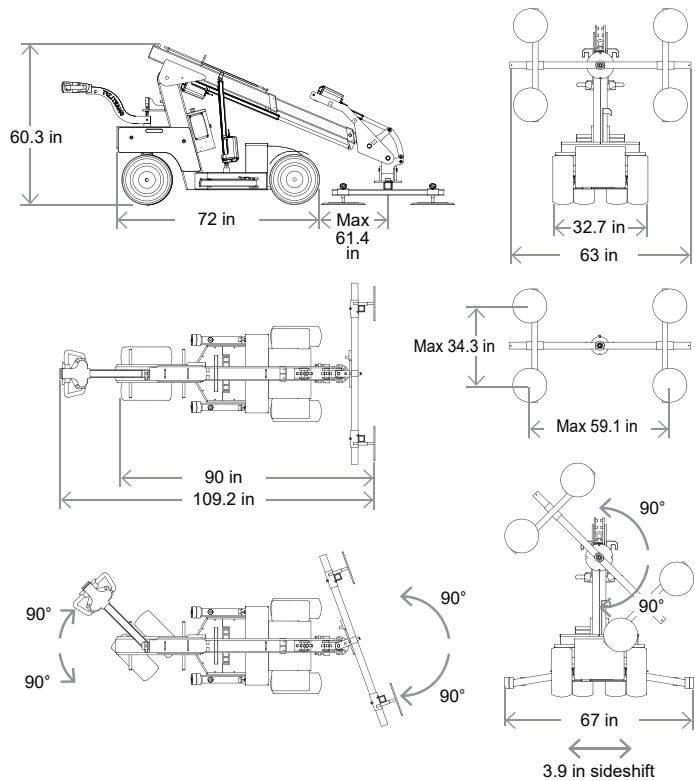


The compact Smartlift design allows for easy transport by van or trailer.



## Technical data

Description	Value
Weight	2050 lb
Height	60.3 in
Width (min)	32.7 in
Length (min)	90 in
Extension of arm	27.6 in + 35,4 in
Tip from horizontal	40° back / 100° forward
Speed regulation	Stepless high/low
Sideshift	3.9 in
Vacuum system	2 circuits
Lifting height mounting	160.6 in
Charging voltage	115 volt
Integrated charger	Victron Energy
Charging time	Approx 8 hours
Battery(2 x 12v) 24 volt	2 x 105 Ah
Running period	Approx 20 hours
Front-wheel drive	1.61 hp
Brake	Electronic
Suction pads	4 unit Ø 15.8 in
Lifting capacity arm in/extended (63 in)	1340 lb / 330 lb



1.09.10.261



**SmartGlass**  
**LIFTER**

2121 South Priest Drive, Suite 115 | Tempe, AZ 85252  
480.236.9255 | info@smartglasslifter.com | smartglasslifter.com

**Smart Lift**  
DENMARK