

Giant lifting
height
and reach

SL 780 Outdoor Giant

Another rough terrain machine
for outdoor and indoor use

Lifts and handles almost a ton

Large window sections for
your new building is easily
and precisely lifted by the
SL 780 Outdoor Giant.



- 2 vacuum circuits with 2 pumps
- For rough terrain with frontwheel drive and big wheels. Electronic brake
- Maneuverable with dual rear wheels
- Lifting height 157.6 (center of yoke)
- Remote control for all hydraulic functions
- Waterproof according to ip65



*The wide tires
make the machine
extremely suitable
for cross-country
use*

*The Smartlift
shows its strength*



*The Smartlift is
easily transported
in a van or on
a trailer*



SmartGlass
LIFTER

2121 South Priest Drive, Suite 115 | Tempe, AZ 85252
480.236.9255 | info@smartglasslifter.com |
smartglasslifter.com

Smart Lift
DENMARK

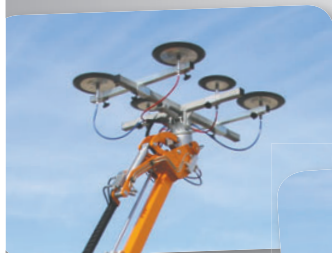
SL 780 Outdoor Giant



The multifunctional, hydraulic rotary head



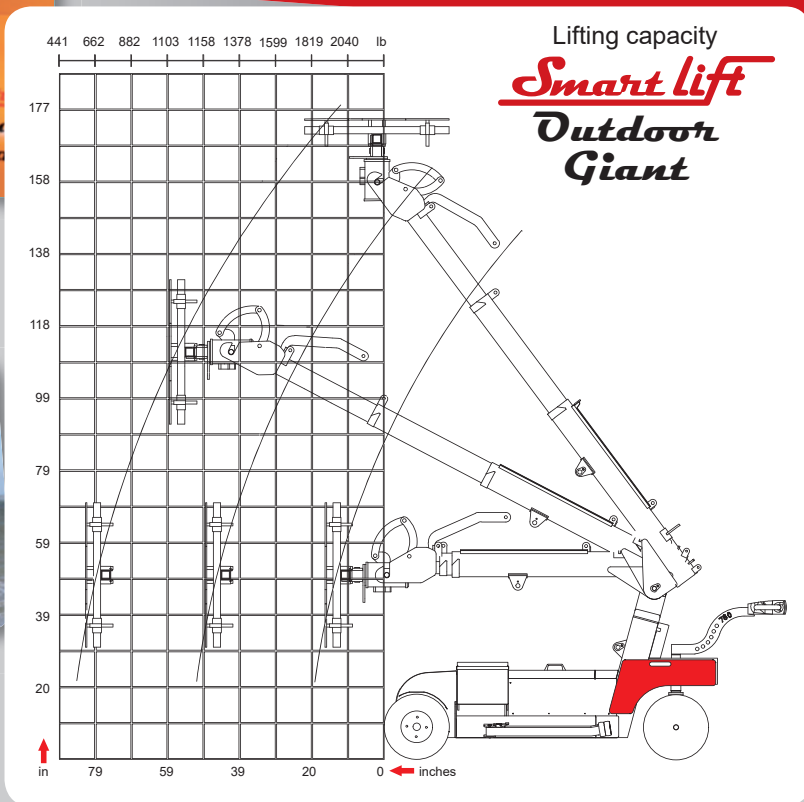
The Smartlift has side shift for exact adjustment of the window



The Smartlift has hydraulic movements in all directions

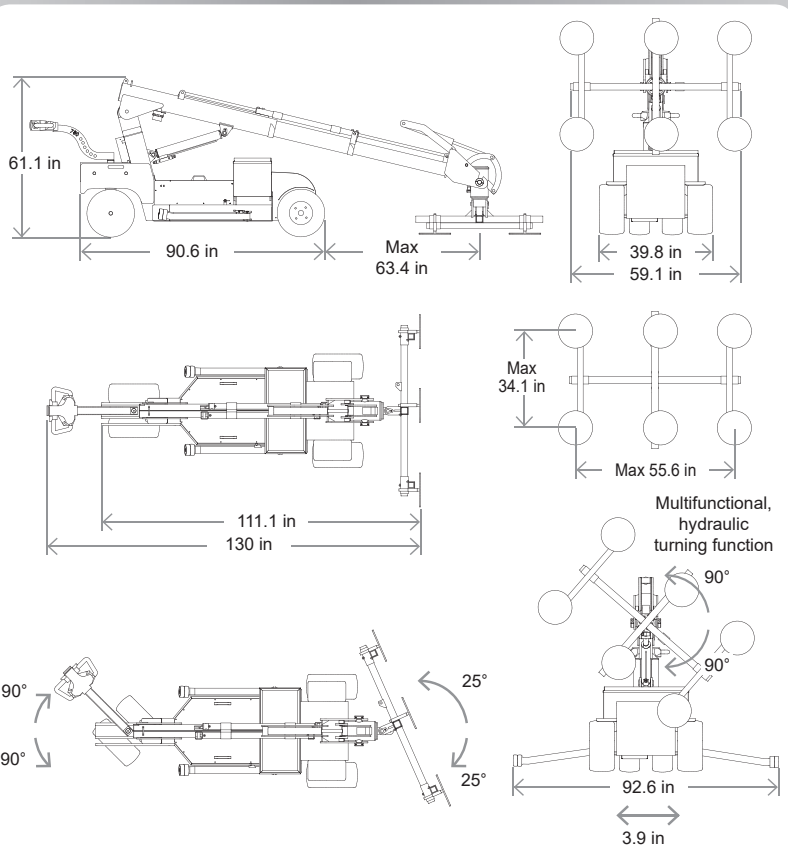


Remote control for all hydraulic functions



Technical data

Description	Value
Total weight	2867 Lb
Total height	61.1 in
Total width (min)	39.8 in
Total length (min)	111.1 in
Telescoping of arm	2 x 32.7 in
Speed regulation	Stepless high/low
Side shift	3.9 in
Vacuum system	2 circuits
Lifting height, ceiling installation	173.4 in
Charging voltage	115 volt
Integrated charger	
Charging time 25-100%	Approx 10 hours
Batteries (4 x 12 v) 24 volt	4 x 134 Ah
Running period	Approx 8 hours
Frontwheel drive	2.68 hp
Brake	Electric
Suctions pads	4 x Ø 15,75 in and 2 x Ø 11,8 in
Automatic suction	2 vacuum pumps
Lifting capacity, telescopic arm in/extended	1810 / 595.4 lb



19/02/01



SmartGlass
LIFTER

2121 South Priest Drive, Suite 115 | Tempe, AZ 85252
480.236.9255 | info@smartglasslifter.com | smartglasslifter.com

Smart Lift
DENMARK